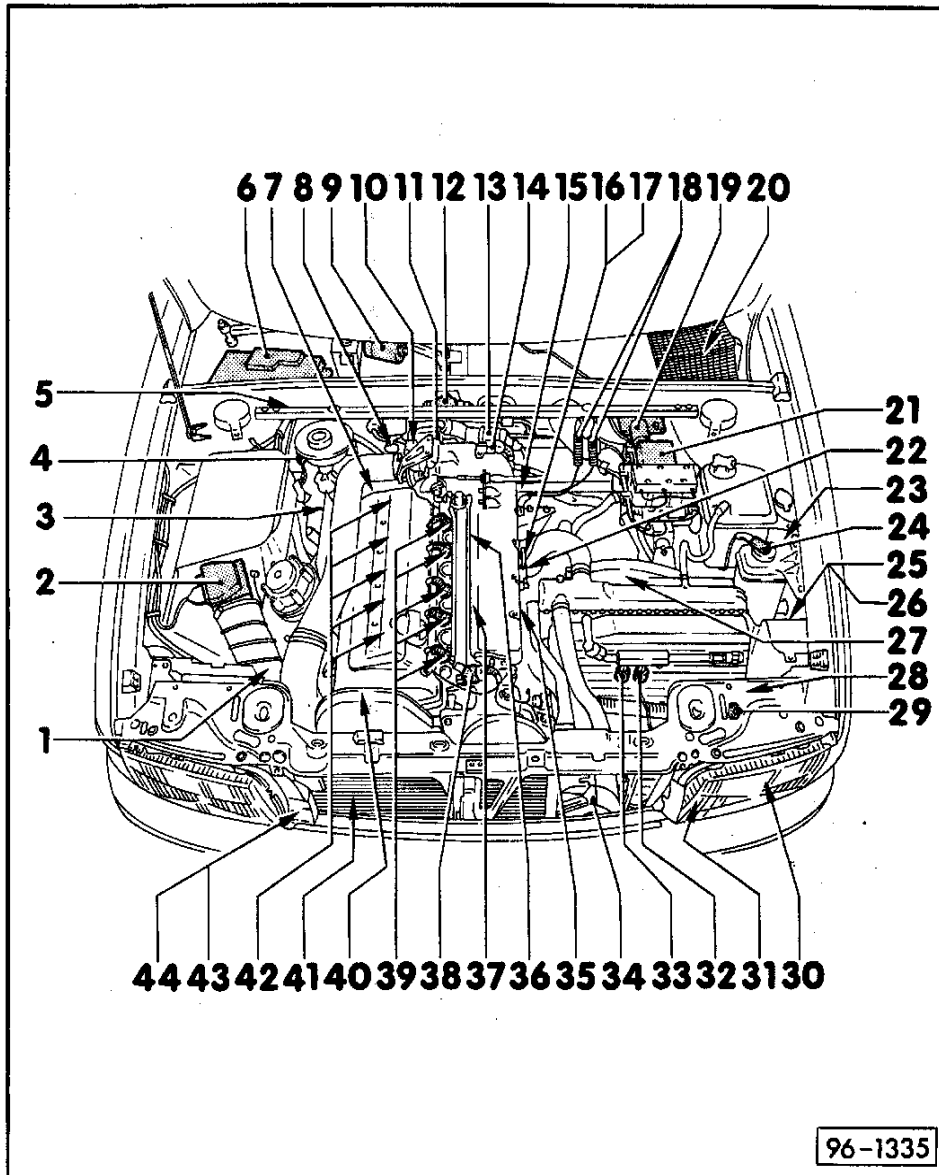


**Engine compartment, 5-cylinder, 20-valve turbo engine, Motronic**

- Engine code letters ABY
- 169 kW/230 bhp



No.	Designation in current flow diagram
1 - Solenoid valve for boost pressure control - see fig. 1, page 3/41	N 75
2 - Air mass meter	G 70
3 - Starter	B
4 - Brake fluid level warning contact - Hydraulic brake servo unit warning switch - see fig. 2, page 3/41	F 34 F 21
5 - Connector for • Lambda probe (G 39) • Lambda probe heating (Z 19) - see fig. 3, page 3/41	- -
6 - Relay plate with fuse holder	-
7 - Sender for coolant temperature (for Motronic ignition and injection system) - see fig. 4, page 3/41	G 62
8 - Activated charcoal filter system solenoid valve 1 - see fig. 5, page 3/42	N 80
9 - Windscreen wiper motor	V
10 - Connectors for • Ignition coils, cylinders 4 and 5 (N 163/N 164) • Ignition coils, cylinders 1, 2 and 3 (N/N 128/N 158) • Knock sensor I (G 61) • Engine speed sender (G 28) • Knock sensor II (G 66) • Firing point sender (G 4) - see fig. 6, page 3/42	- - - - - -
11 - Throttle valve potentiometer with idling switch (located in one housing) - see fig. 7, page 3/42	G 69/F 60
12 - Power end stages (for ignition coils) - see fig. 8, page 3/42	N 122/N 127
13 - Idle speed stabilization valve	N 71
14 - Intake air temperature sender	G 42
15 - Firing point sender Engine speed sender - see fig. 9, page 3/43	G 4 G 28

---

No.	Designation in current flow diagram
16 - Switch for reversing lights - see fig. 10, page 3/43	F 4
17 - Speedometer sender - see fig. 11, page 3/43	G 22
18 - Connectors, engine wiring loom, right - see fig. 12, page 3/43	-
19 - Vacuum pump for cruise control	V 18
20 - Ambient temperature switch (only with manual air conditioner) - Temperature sender - fresh air intake duct (only with digital air conditioner) - see fig. 13, page 3/44	F 38 G 89
21 - Hydraulic unit for anti-lock brake system	N 55
22 - Electronic thermostwitch - Thermostwitch for coolant pump/turbocharger - see fig. 14, page 3/44	F 76 F 98
23 - Coolant shortage indicator switch	F 66
24 - Hydraulic fluid warning contact	F 75
25 - Windscreen washer pump - Windscreen washer pump with warning contact for washer fluid (only with auto-check system) - see fig. 15, page 3/44	V 5 V 5/F 77
26 - Pump for headlight washer system - see fig. 15, page 3/44	V 11
27 - Radiator fan	V 7
28 - Thermostwitch for radiator fan - see fig. 16, page 3/44	F 18/F 54
29 - Contact switch for anti-theft alarm system/repeller system	F 120
30 - Horn/dual horn - see fig. 17, page 3/45	H 1
31 - Ambient temperature sensor (only with ambient temperature indicator or digital air conditioner) - see fig. 18, page 3/45	G 17
32 - High pressure switch for magnetic clutch (only with air conditioner)	F 118

No.	Designation in current flow diagram
33 - High pressure switch for air conditioner	F 23
34 - Alternator with voltage regulator	C/C 1
35 - Oil pressure switch (1.8 bar), white - Oil pressure switch (0.3 bar) with oil pressure sender - see fig. 19, page 3/45	F 1 F 22/G 10
36 - Knock sensor II - see fig. 20, page 3/45	G 66
37 - Knock sensor I - see fig. 20, page 3/45	G 61
38 - Connector for · Hall sender (G 40)	-
39 - Injectors	N 30/N 31/N 32/N 33/N 83
40 - Hall sender - see fig. 21, page 3/46	G 40
41 - Oil temperature sender (only with additional instruments) - see fig. 22, page 3/46	G 8
42 - Ignition coils 1 .... 5 - see fig. 23, page 3/46	N/N 128/N 158/N 163/N 164
43 - Magnetic clutch for compressor/protective diode for magnetic clutch (only with air conditioner) - see fig. 24, page 3/46	N 25/J 201
44 - Speed sender - air conditioner compressor (only with air conditioner) - see fig. 25, page 3/47	G 111

**Note:**

With this engine version the battery -A- is located under the rear seat bench  
- also see "Fitting locations - right-hand drive vehicles", page 5/5.

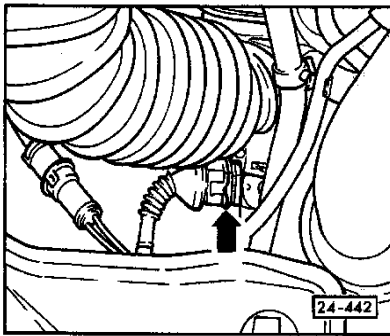


Fig. 1 - Solenoid valve for boost pressure control N 75

- on air hose in engine compartment, front left

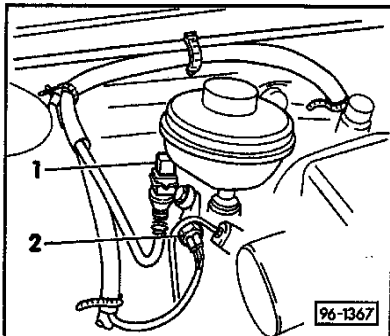


Fig. 2 - Brake fluid level warning contact F 34  
- Hydraulic brake servo unit warning switch F 21

- left, below brake fluid reservoir

1 - F 34

2 - F 21

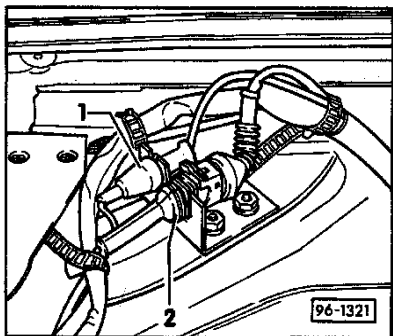


Fig. 3 - Connector for Lambda probe G 39  
- Connector for Lambda probe heating Z 19

- in engine compartment, rear left, next to suspension strut turret

1 - Connector G 39 (single)

2 - Connector Z 19 (2-pin)

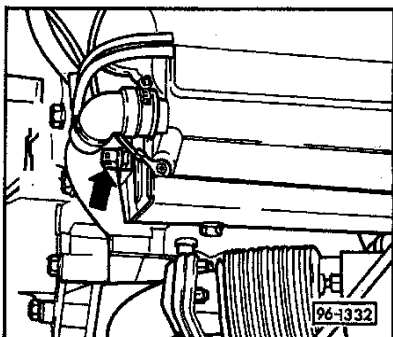


Fig. 4 - Sender for coolant temperature G 62  
(for Motronic ignition and injection system)

- on rear side of cylinder head

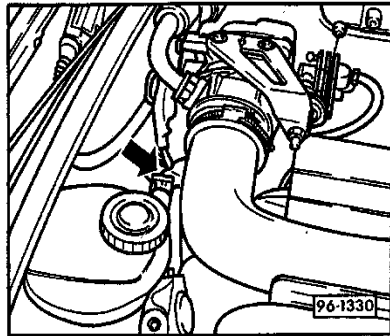


Fig. 5 - Activated charcoal filter system solenoid valve 1 N 80

- between intake manifold and rear partition of engine compartment

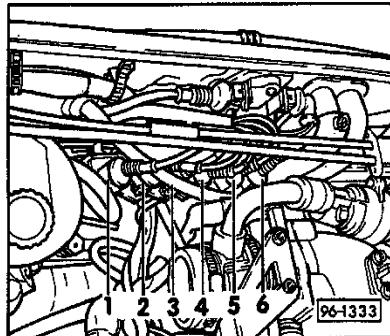


Fig. 6 - Connectors for

- |  |               |
|--|---------------|
| 1 - Ignition coils<br>(cylinders 4 and 5)    | N 63/N 64     |
| 2 - Ignition coils<br>(cylinders 1, 2 and 3) | N/N 128/N 158 |
| 3 - Knock sensor I                           | G 61          |
| 4 - Knock sensor II                          | G 66          |
| 5 - Engine speed sender                      | G 28          |
| 6 - Firing point sender                      | G 4           |

- on rear partition of engine compartment

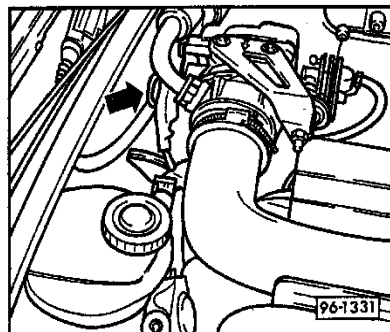


Fig. 7 - Throttle valve potentiometer G 69 with idling switch F 60

- on rear of throttle valve assembly

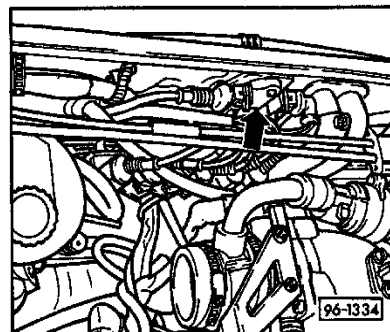


Fig. 8 - Power end stages for ignition coils N 122/N 127

- on rear partition of engine compartment

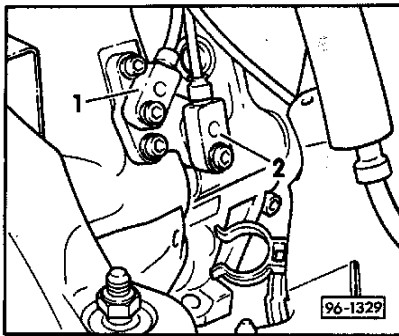


Fig. 9 - Firing point sender G 4  
- Engine speed sender G 28

- near engine/gearbox joint, on cylinder block, lower left

1 - G 4

2 - G 28

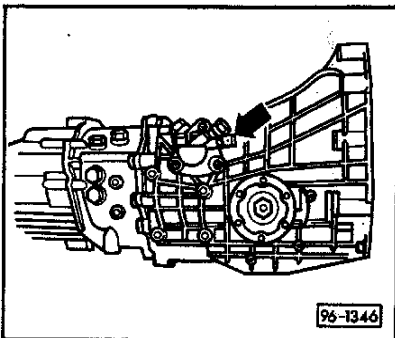


Fig. 10 - Switch for reversing lights F 4

- on right side of gearbox

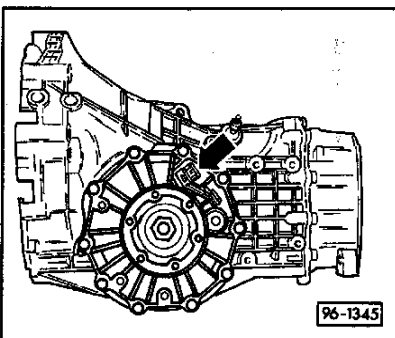


Fig. 11 - Speedometer sender G 22

- inserted in gearbox housing, left, next to left drive shaft flange
- for removal push down latch and turn to the right

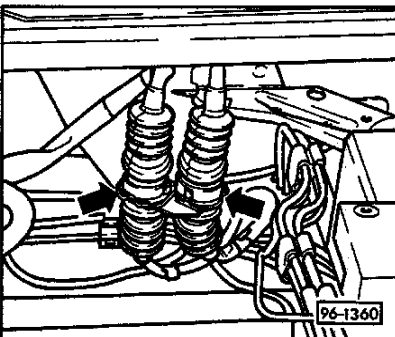


Fig. 12 - Connectors: engine wiring loom,  
right

- on rear partition of engine compartment, left

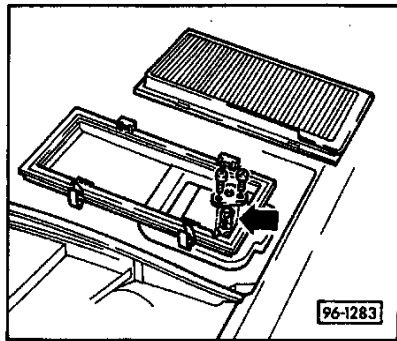


Fig. 13 - Ambient temperature switch F 38 (only with manual air conditioner)  
- Temperature sensor - fresh air intake duct G 89 (only with digital air conditioner)

- in plenum chamber, left

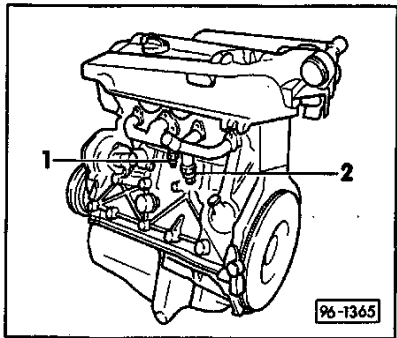


Fig. 14 - Electronic thermostat F 76  
- Thermostat for coolant pump F 98

- in coolant pipe at left side of engine, below intake manifold

1 - F 98

2 - F 76

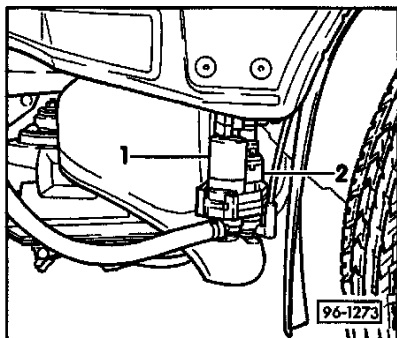


Fig. 15 - Windscreen washer pump V 5  
- Windscreen washer pump with warning contact for washer fluid V 5/F 77 (only with auto-check system)  
- Pump for headlight washer system V 11

- under left wheel arch liner, or under left section of bumper

1 - V 11

2 - V 5 or V 5/F 77

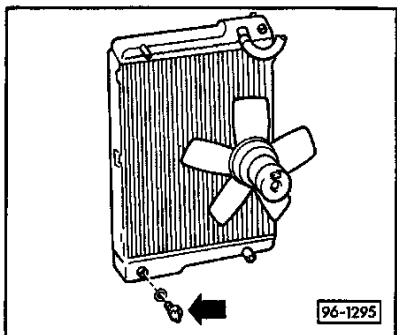


Fig. 16 - Thermostat for radiator fan F 18/F 54

- screwed into radiator from rear side, lower left



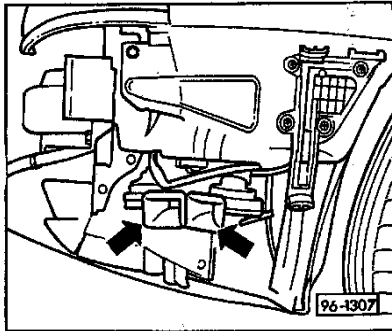


Fig. 17 - Horn/dual horn H1

- behind bumper, left, or above noise insulation for engine compartment

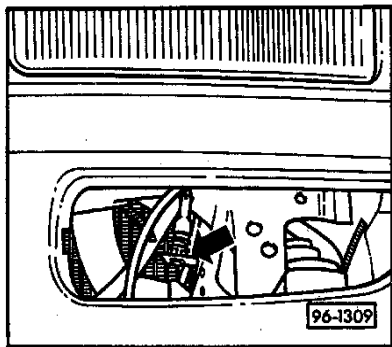


Fig. 18 - Ambient temperature sensor G 17  
(only with ambient temperature indicator or digital air conditioner)

- behind air duct grille in bumper, left

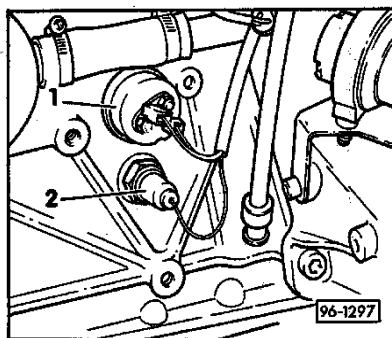


Fig. 19 - Oil pressure switch (0.3 bar) F 22  
with oil pressure sender G 10  
- Oil pressure switch (1.8 bar), white, F 1

- on oil filter holder

1 - F 22/G 10

2 - F 1

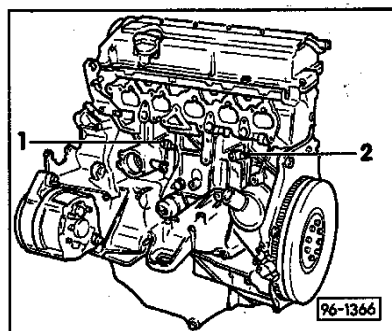


Fig. 20 - Knock sensor I - G 61  
- Knock sensor II - G 66

- on left side of cylinder block below intake manifold

1 - G 61

2 - G 66

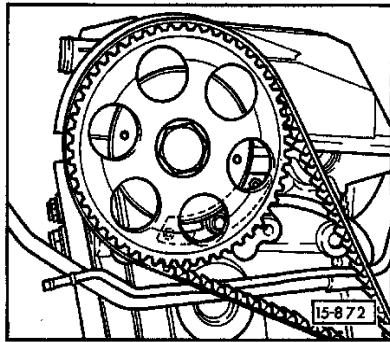


Fig. 21 - Hall sender G 40

- under camshaft sprocket

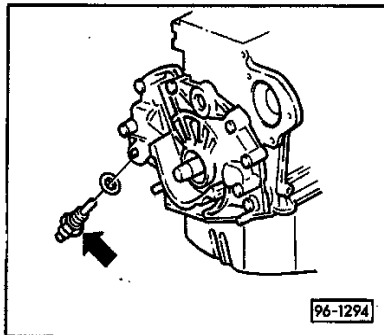


Fig. 22 - Oil temperature sender G 8

- Sender G 8 is screwed in instead of the screw plug for the oil pressure relief valve (on end face of engine, lower right)

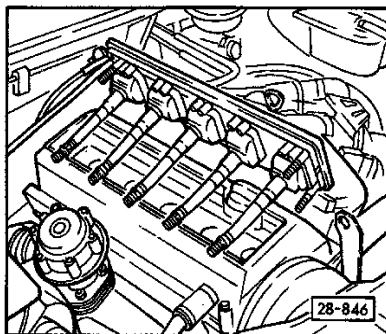


Fig. 23 - Ignition coils  
N/N 128/N 158/N 163/N 164

- under ignition coil mounting on top of cylinder head cover

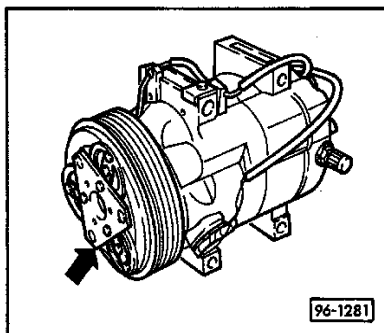


Fig. 24 - Magnetic clutch for compressor/  
protective diode for magnetic clutch (only  
with air conditioner) N 25/J 201

- on air conditioner compressor (on engine, lower right)

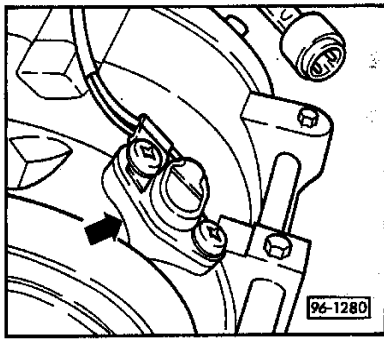


Fig. 25 - Speed sender - air conditioner compressor G 111 (only with air conditioner)

- on air conditioner compressor (on engine, lower right)